



Product details

09 03 000 6260

Coaxial contacts for type M

Description Coaxial contacts, type M
Female contacts
Contacts for male connectors
Impedance 50 Ohm
Standard contacts
Straight crimp / solder terminations
Performance level 2 as per IEC 60603-2
without knurled area

RoHS compliant Yes

5

4

3

2

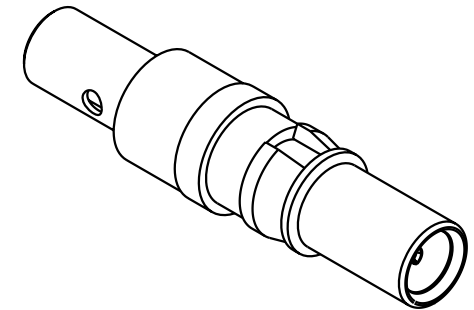
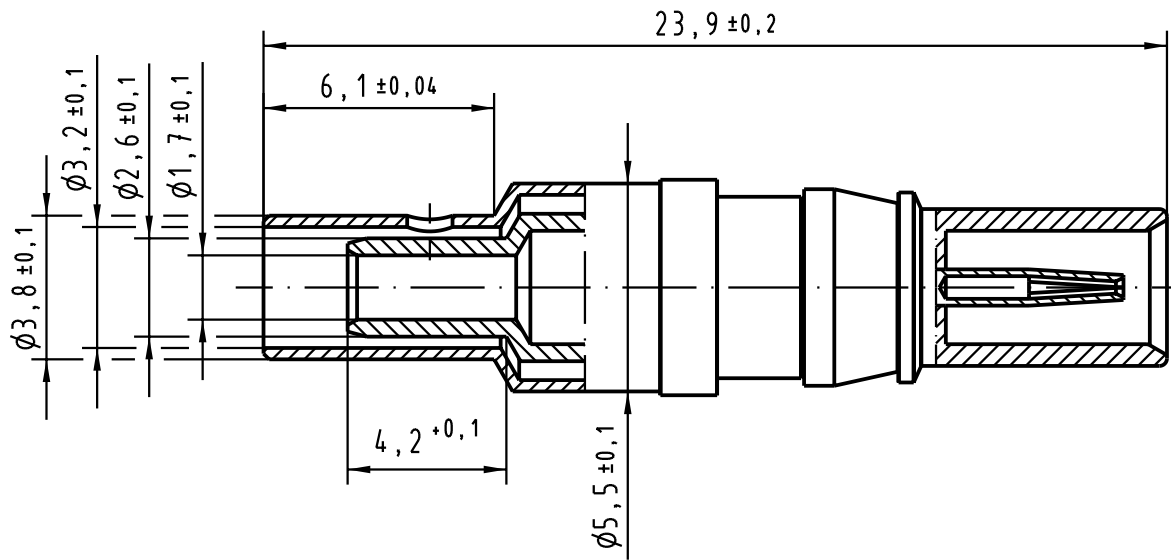
1



D

C

B

A



 All Dimensions in mm Original Size DIN A 4		Techn. Character. DIN 41626 Teil 2		Nicht tolerierte Maßel Free size tolerances siehe / see IEC 60603-2	
			Dat.	Name	Maßstab/Scale 5 : 1
		Detail.	22.07.02	Buß.	
		Insp.	22.07.02	kfoe	
		Stand.			
30079		HARTING Electronics GmbH & Co. KG D-32339 ESPELKAMP			
Mod.	Dat.	Name	TB 09 03 000 6260		Blatt/ page
			Sub.		